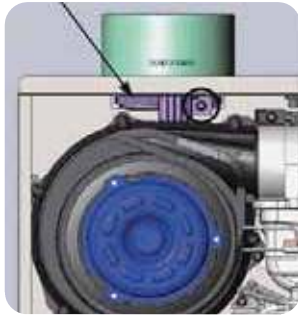


7.2. Cleaning the Intake Air Filter

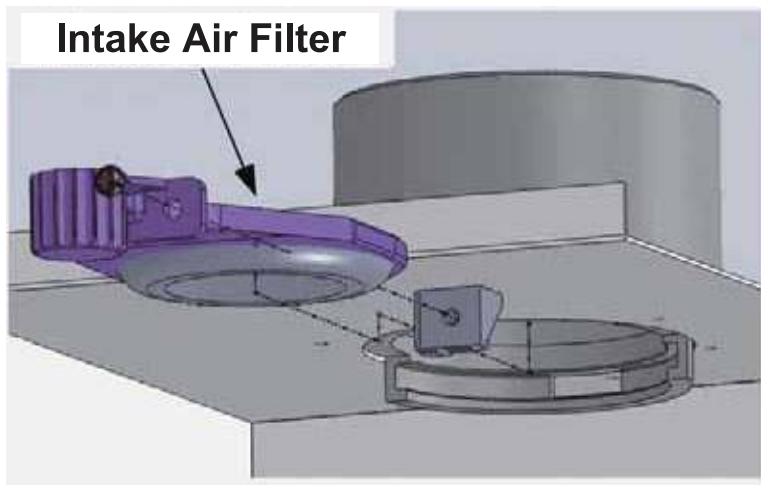
Clean the intake air filter just above the fan and under the air intake pipe in the top left corner of the water heater as the following.

1. Remove the screw is located in the circled areas in the figure.

Intake Air Filter



2. Remove the intake air filter from the bottom of the intake pipe by pulling it out towards the front.



3. Remove the filter from the plastic assembly.
4. Clean it with a toothbrush and water.
5. Re-fit the screen in to the plastic assembly and fit the filter.
6. Frame onto the bottom of the air intake pipe.
7. Once the filter is back on the intake pipe, reset the fan back to its original position. Insert the fan on an angle into the back corner of the case and then move it into its correct position,
8. Replace the screws.