

**NAVIEN**

# Quick Facts

## NAA Series



### Air Conditioner

#### Product Features



Energy-efficient with matches up to 18.0 SEER2.



Compatible with single- or two-stage conventional thermostats.



Environmentally friendly R-454B low GWP refrigerant.



Inverter driven variable-speed compressor.

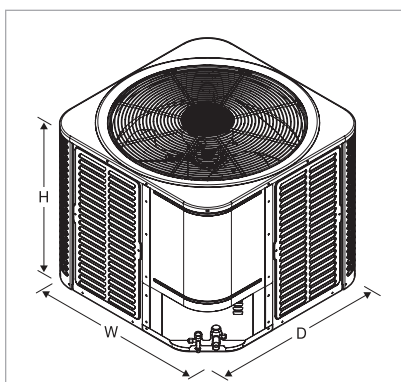


Performs in outdoor temperatures from 5°F to 124°F (-15°C to 51°C).



Two outdoor units covering 1.5-5.0 ton applications.

#### Dimensions



Model	Height in (mm)	Width in (mm)	Depth in (mm)
NAA17V36	25 (635)	29-1/8 (740)	29-1/8 (740)
NAA17V60	32-7/8 (835)	29-1/8 (740)	29-1/8 (740)

#### NAA Air Conditioner: The Inside Story

Deep Drawn Venturi for quiet efficient air movement

Swept Wing Fan Blades provide quiet operation

Variable Speed ECM Fan Motor

Gold Coat Outdoor Coil provides corrosion protection



#### Included Parts



Bi-directional Filter Drier

Compressor

Inverter Coolant Loop

High Pressure Switch

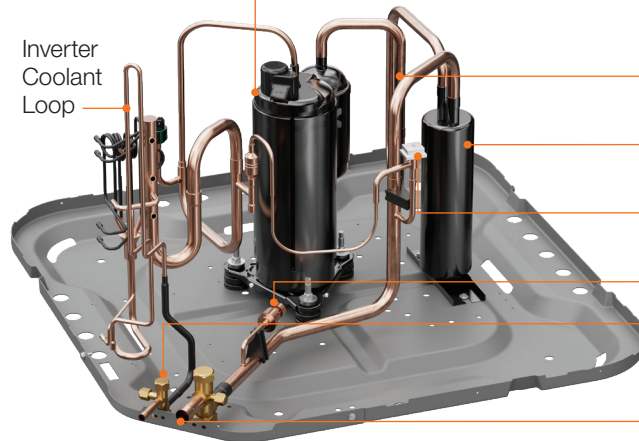
Suction Accumulator

Pressure Equalization Valve



Pressure Sensor

Liquid Service Valve

Suction Service Valve



# Specifications

Items		Model	
		NAA17V36 2 or 3 Ton	NAA17V60 4 or 5 Ton
Unit	Dimensions W x D x H, in (mm)	29-1/8 x 29-1/8 x 25 (740 x 740 x 635)	29-1/8 x 29-1/8 x 32-7/8 (740 x 740 x 835)
	Packing W x D x H, in (mm)	29-7/8 x 29-7/8 x 29-3/8 (759 x 759 x 745)	29-7/8 x 29-7/8 x 37-1/4 (759 x 759 x 945)
	Net/gross weight, lbs (kg)	137/166 (62/75)	185/214 (84/97)
	Sound rating level (dB(A))	78 at maximum capacity	
Thermostat type		Conventional Single- or Two-stage	
Electrical data	Voltage (V) – Phase (Ph) – Hertz (Hz)	230 – 1 – 60	
	Minimum circuit ampacity (A)	20	30
	Max. overcurrent protection (A)	30	45
	Volts (V) min – max	187 – 253	
Compressor	Type	Rotary	
	Hz	18–78	
	Rated current RLA (A)	12.8	20
LRA	52	58.1	
Fan motor	Power supply	DC	
	RLA (A)	1.8	
	Maximum speed (rpm)	1100	
	HP	1/4	
FLA (A)	1.8		
Coil	Number of rows	2	
	Tube outside diameter, in	9/32	
	Tube pitch x row pitch, in (mm)	0.83 x 0.53 (21 x 13.5)	
	Net face area, sq. ft.	13.75	18.35
Refrigerant system	Refrigerant	R454B	
	Liquid line, in (mm)	3/8 (9.5)	
	Vapor line, in (mm)	3/4 (19)	7/8 (22.2)
	Factory charge, oz	111.1	155.2
	Max line length, ft	100	
Max vertical lift, ft	50		
Operating temperature	Cooling mode °F (°C)	5~124 (-15~51.2)	
SEER2		Up to 18*	
EER2		Up to 11.5*	
Certifications	 		

\*With select AHRI matched indoor equipment.

Navien reserves the right to change specifications at any time without prior notice. Please refer to [www.navieninc.com](http://www.navieninc.com) to verify you have the most current information.

# Warranty

NAA17 – Coverage Table for Labor and Parts Only			
	Application	Residential <sup>2</sup>	Commercial
Parts <sup>1</sup>	Registered <sup>3</sup>	10 years	1 year
	Non-registered <sup>4</sup>	5 years	
Labor		90 days	

<sup>1</sup>Refers to all internal functional components of the unit.

<sup>2</sup>Applies only to a single-family dwelling that services one (1) living unit. Any property converted or utilized to service two or more separate dwelling units, regardless of the municipal address, is automatically classified as a Commercial application and is subject to the reduced warranty period.

<sup>3</sup>Refers to coverages for units registered within 60 days of the Commencement Date.

<sup>4</sup>Refers to coverages for units registered 61 days or more after the Commencement Date; Secondary Owners.

Navien's warranty (which may be changed without prior notice) is subject to the terms and conditions found at [www.navieninc.com/warranties](http://www.navieninc.com/warranties).

# NAA A/C Sound Ratings

Capacity	Mode	Sound Power Level (dBA)  Lw (AHRI 270 125–8000Hz)	Full Octave Sound Power Level (dBA)							
			Center Frequency (Hz)							
			125	250	500	1000	2000	4000	8000	
3 ton	Low	61	48	50.9	50.7	44.1	35.8	38.1	35.6	
	High	81	64	70.3	70.4	67.7	62.1	58.7	52.5	
5 ton	Low	61	48.5	50.9	51.9	45.7	38.4	39.1	35.9	
	High	82	68.6	67.4	71	66.2	61.9	56.3	49.6	

Note: Tested by a 3rd party laboratory in accordance with AHRI Standard 270-2015 (not listed in AHRI).

# NAA System Matching Performance Data

Capacity	ODU	Match Setup		Cooling Capacity (BTU/h)	Efficiency	
		IDU	Cased Coil		EER2 <sup>1</sup>	SEER2 <sup>2</sup>
<b>Constant Torque Air Handler</b>						
2 Ton	NAA17V36	NASS24B2T2A1	-	24,000	11.5	17
3 Ton	NAA17V36	NASS36C2T2A1	-	33,000	10.5	15.2
4 Ton	NAA17V60	NASS48D2T2A1	-	45,000	11	16.5
5 Ton	NAA17V60	NASS59D2T2A1	-	50,000	10	15.5
<b>Variable Speed Air Handler</b>						
2 Ton	NAA17V36	NASV24B2T2A1	-	24,000	11.5	17.5
3 Ton	NAA17V36	NASV36C2T2A1	-	33,000	10.5	17.5
4 Ton	NAA17V60	NASV48D2T2A1	-	45,000	10.5	18
5 Ton	NAA17V60	NASV59D2T2A1	-	50,000	10.2	17.5
<b>NPF Furnace and Cased Coil</b>						
2 Ton	NAA17V36	NPF700-060D3BH	NAM24B2TA1	24,000	11.5	18
2 Ton	NAA17V36	NPF700-060H3BH	NAM24B2TA1	24,000	11.5	18
2 Ton	NAA17V36	NPF700-060U3BH	NAM24B2TA1	24,000	11.5	18
2 Ton	NAA17V36	NPF700-080D3BH	NAM24B2TA1	24,000	11.5	18
2 Ton	NAA17V36	NPF700-080H3BH	NAM24B2TA1	24,000	11.5	18
2 Ton	NAA17V36	NPF700-080U3BH	NAM24B2TA1	24,000	11.5	18
3 Ton	NAA17V36	NPF700-060D3BH	NAM36B2TA1	33,000	10	17.5
3 Ton	NAA17V36	NPF700-060D3BH	NAM36C2TA1	33,000	10	17.5
3 Ton	NAA17V36	NPF700-060H3BH	NAM36B2TA1	33,000	10	17.5
3 Ton	NAA17V36	NPF700-060H3BH	NAM36C2TA1	33,000	10	17.5
3 Ton	NAA17V36	NPF700-060U3BH	NAM36B2TA1	33,000	10	17.5
3 Ton	NAA17V36	NPF700-060U3BH	NAM36C2TA1	33,000	10	17.5
3 Ton	NAA17V36	NPF700-080D3BH	NAM36B2TA1	33,000	10	17.5
3 Ton	NAA17V36	NPF700-080D3BH	NAM36C2TA1	33,000	10	17.5
3 Ton	NAA17V36	NPF700-080H3BH	NAM36B2TA1	33,000	10	17.5
3 Ton	NAA17V36	NPF700-080H3BH	NAM36C2TA1	33,000	10	17.5
3 Ton	NAA17V36	NPF700-100D5CH	NAM36C2TA1	33,000	10	17.5
3 Ton	NAA17V36	NPF700-100H5CH	NAM36C2TA1	33,000	10	16.8
3 Ton	NAA17V36	NPF700-100U5CH	NAM36C2TA1	33,000	10	17.3
4 Ton	NAA17V60	NPF700-100D5CH	NAM48C2TA1	45,000	10	17.3
4 Ton	NAA17V60	NPF700-100H5CH	NAM48C2TA1	45,000	10	17.5
4 Ton	NAA17V60	NPF700-100U5CH	NAM48C2TA1	45,000	10	17.5
5 Ton	NAA17V60	NPF700-100D5CH	NAM59C2TA1	50,000	9.8	16.5
5 Ton	NAA17V60	NPF700-100D5CH	NAM59D2TA1	50,000	9.8	16.5
5 Ton	NAA17V60	NPF700-100H5CH	NAM59C2TA1	50,000	9.8	16.5
5 Ton	NAA17V60	NPF700-100U5CH	NAM59C2TA1	50,000	9.8	16.5
5 Ton	NAA17V60	NPF700-100H5CH	NAM59D2TA1	50,000	9.8	16.5
5 Ton	NAA17V60	NPF700-100U5CH	NAM59D2TA1	50,000	9.8	16.5

Performance data subject to change. Check [www.ahridirectory.org](http://www.ahridirectory.org) for latest information.

<sup>1</sup>Energy Efficiency Ratio; Certified per AHRI 210/240

<sup>2</sup>Seasonal Energy Efficiency Ratio; Certified per AHRI 210/240

Accessories and components are subject to change or discontinuation without notice. Images are for illustrative purposes only and actual products may vary based on current vendor availability. Navien reserves the right to substitute equivalent accessories or components from alternative vendors as necessary.

For the most up-to-date product information and current accessory availability, please visit [www.navieninc.com](http://www.navieninc.com) or contact your local Navien representative.

We are @Navieninc everywhere



**Navien, Inc.** [www.navieninc.com](http://www.navieninc.com) 800-519-8794

20 Goodyear, Irvine, CA 92618

**Navien Canada, Inc.** [www.navieninc.ca](http://www.navieninc.ca) 800-519-8794

555 Hanlan Rd., Unit 7, Vaughan, ON L4L 4R8

