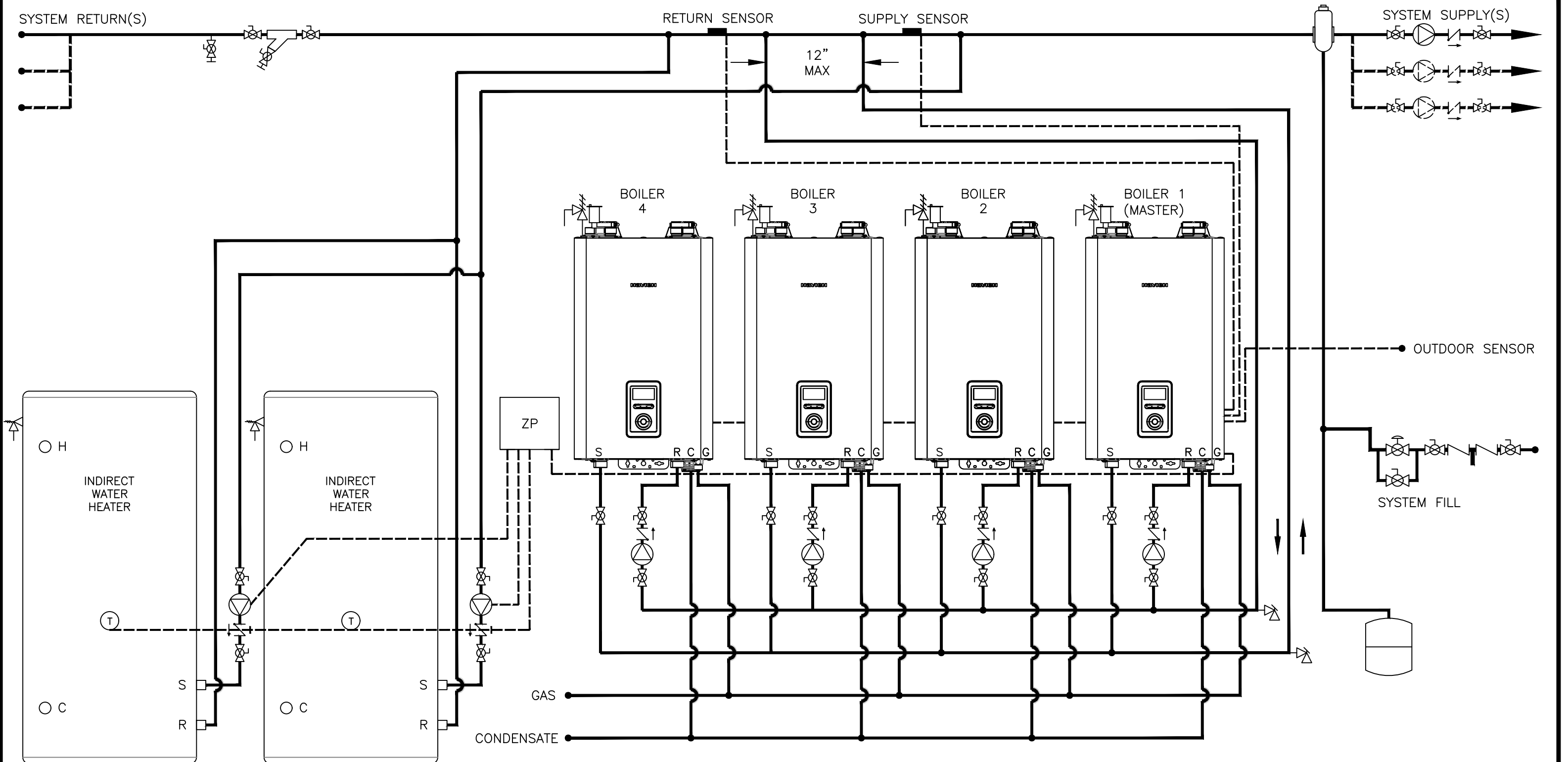


THIS DRAWING IS INTENDED ONLY AS A GUIDE AND NOT AS A REPLACEMENT FOR PROFESSIONALLY ENGINEERED PROJECT DRAWINGS THIS CONCEPT SYSTEM DRAWING DOES NOT IMPLY COMPLIANCE WITH LOCAL BUILDING CODES. ACTUAL INSTALLATION MAY VARY DEPENDING ON INSTALLATION LOCATION AND PARAMETERS AND IT MUST BE DONE IN ACCORDANCE TO ALL LOCAL BUILDING CODES. VERIFY WITH LOCAL BUILDINGS OFFICIALS BEFORE COMMENCEMENT OF SYSTEM INSTALLATION.

RECOMMENDED SYSTEM & HEADER PIPE SIZES - TOTAL BTU (>4 Ft/Sec.) 2" - 350,000 TO 398,000 BTU'S (2 BOILERS)
 2 1/2" - 525,000 TO 796,000 BTU'S (3 & 4 BOILERS) 3" - 875,000 TO 1,300,000 BTU'S (5-7 BOILERS)
 4" - 1,400,000 TO 3,185,000 BTU'S (8 TO 16 BOILERS)



-- NAVIEN COMMUNICATION CABLE (1 LESS THAN TOTAL BOILER COUNT REQUIRED)



20 GOODYEAR
 IRVINE, CA 92618
 800-519-8794
 www.navieninc.com

NFB SERIES CONDENSING-BOILER

NAVIEN NFB-175/199 FOUR MULTIPLE BOILER APPLICATION WITH TWO INDIRECT WATER HEATER COMMON SECONDARY INJECTION PIPING

DRAWN BY:

J.GARCIA

NFB-175-199-4MULT-C-2IND-JG02

JUNE 06, 2019

	AIR ELIMINATION		CHECK VALVE		FULL-PORT VALVE		AQUASTAT
	ZONE VALVE		PRESSURE RELIEF VALVE		CIRCULATOR		BACKFLOW PREVENTOR
	DHW CIRCULATOR W/AQUASTAT & CHECK VALVE		MIXING VALVE		EXPANSION TANK		SOLENOID VALVE