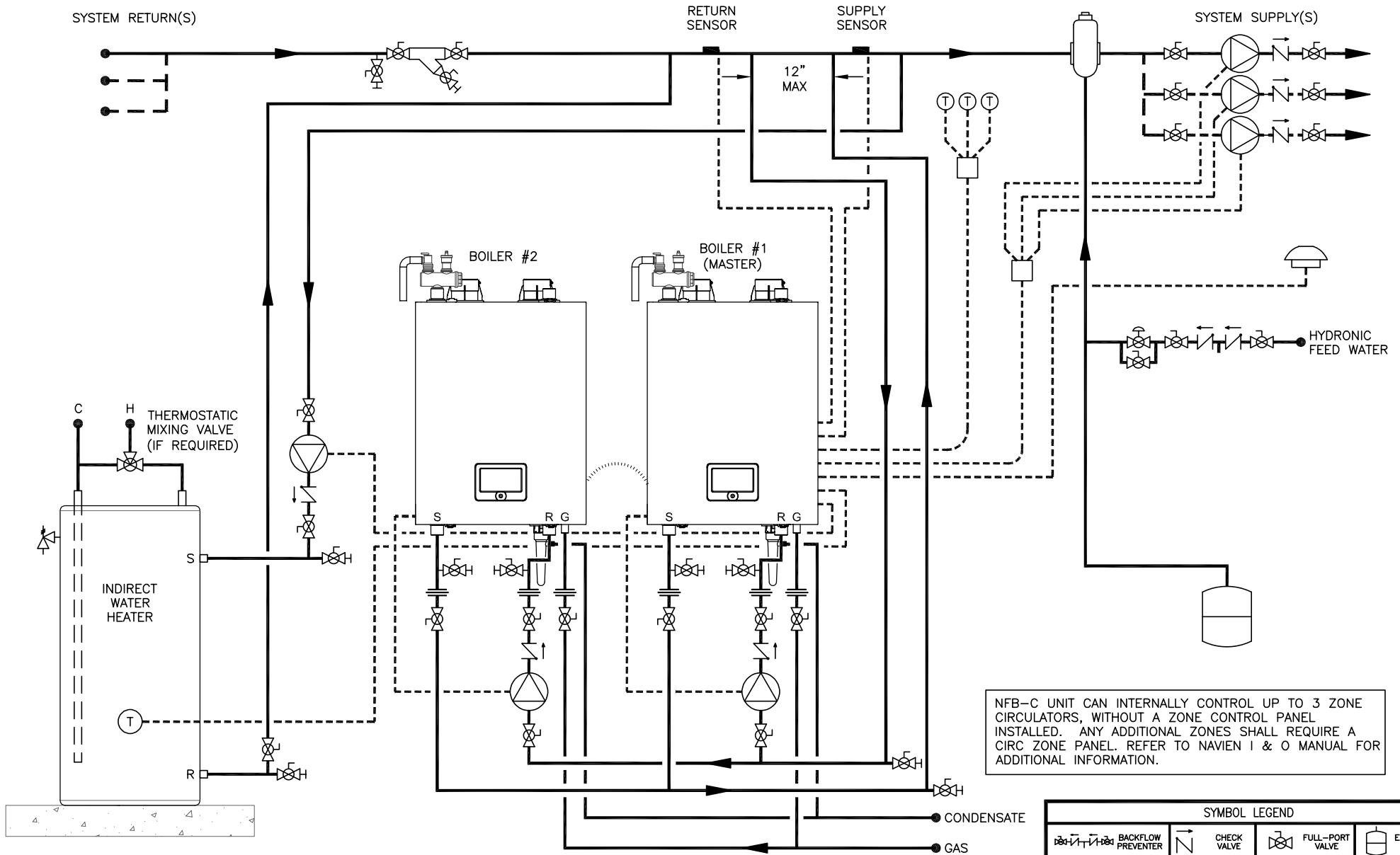


THIS DRAWING IS INTENDED ONLY AS A GUIDE AND NOT AS A REPLACEMENT FOR PROFESSIONALLY ENGINEERED PROJECT DRAWINGS. THIS CONCEPT SYSTEM DRAWING DOES NOT IMPLY COMPLIANCE WITH LOCAL BUILDING CODES. ACTUAL INSTALLATION MAY VARY DEPENDING ON INSTALLATION LOCATION AND PARAMETERS AND IT MUST BE DONE IN ACCORDANCE TO ALL LOCAL BUILDING CODES. VERIFY WITH LOCAL BUILDINGS OFFICIALS BEFORE COMMENCEMENT OF SYSTEM INSTALLATION. CHANGES OR MODIFICATIONS TO PIPING OR DESIGN IS NOT TO BE PERFORMED WITHOUT EXPRESSED WRITTEN PERMISSION BY NAVIEN, INC.

RECOMMENDED SYSTEM & HEADER PIPE SIZES - TOTAL BTU (>4 FT/SEC.)

- 1-1/2" - UP TO 301,000 BTU'S (1 BOILER)
- 2" - 399,000 BTU'S (1 BOILER)
- 2-1/2" - 601,000 TO 798,000 BTU'S (2 BOILERS)
- 3" - 903,000 TO 1,197,000 BTU'S (3 BOILERS)
- 4" - 1,204,000 TO 3,192,000 BTU'S (4 TO 8 BOILERS)



SYMBOL LEGEND			
	BACKFLOW PREVENTER		CHECK VALVE
	FULL-PORT VALVE		EXPANSION TANK
	CONTROL WIRING		PRESSURE RELIEF VALVE
	CONDENSATE TRAP		CIRCULATOR
	OUTDOOR TEMPERATURE SENSOR		AIR ELIMINATION
	WYE STRAINER W/ BLOWDOWN		CASCADE CABLE
	THERMOSTAT		BALL DRAIN VALVE
	BOILER RELIEF VALVE		PRESSURE REDUCING VALVE
	MIXING VALVE		

Navien
 20 GOODYEAR
 IRVINE, CA 92618
 800-519-8794
 www.navienc.com

NFB-C SERIES BOILER
 (2) NFB-C CONDENSING BOILERS WITH INDIRECT WATER HEATER
 COMMON SECONDARY INJECTION PIPING
 INCLUDES MODELS NFB-301C, 399C
 DRAWN BY: S. STOKE
 NFB-C-2-ZC-MULT-IDWH
 OCTOBER 14, 2021