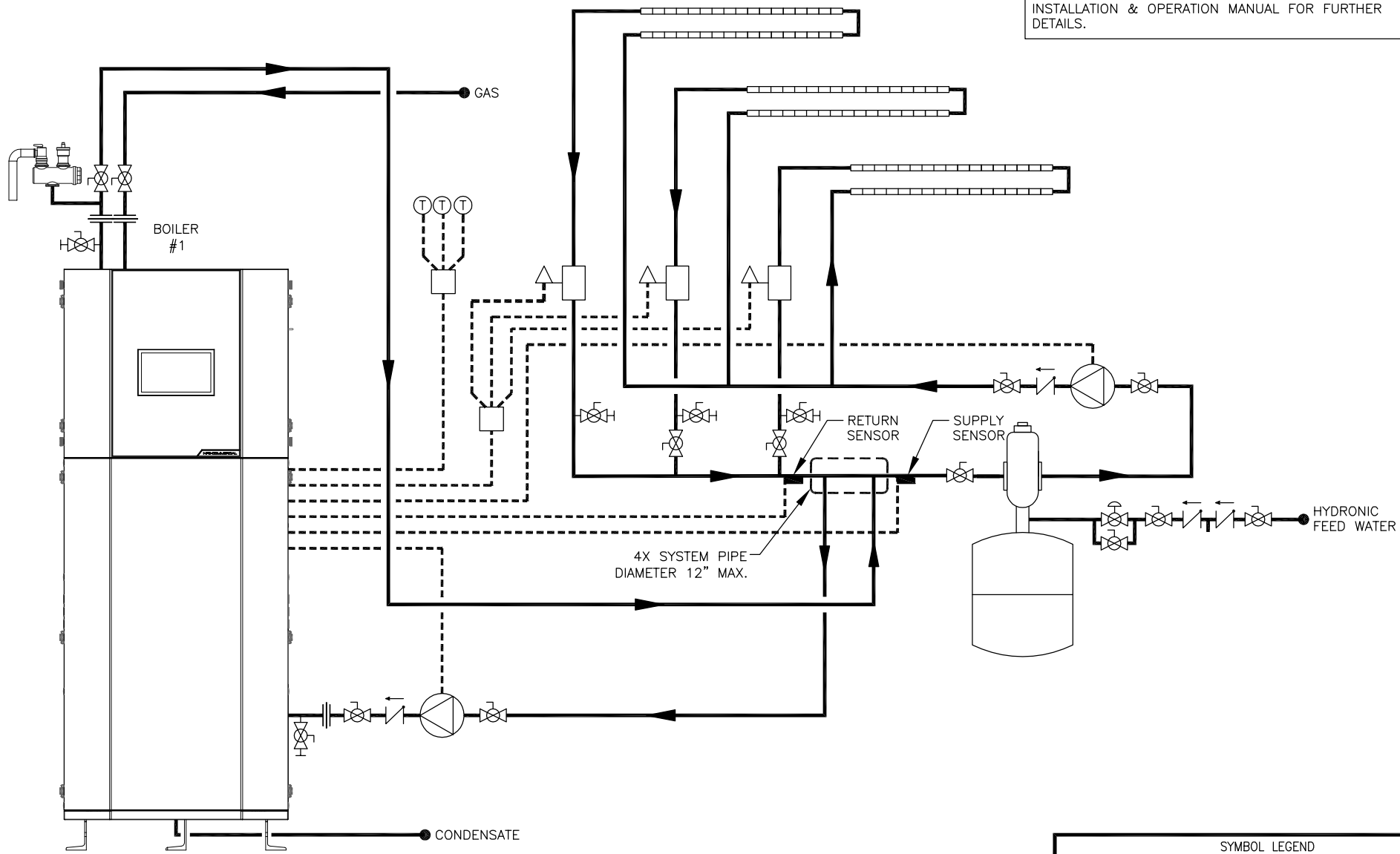


THIS DRAWING IS INTENDED ONLY AS A GUIDE AND NOT AS A REPLACEMENT FOR PROFESSIONALLY ENGINEERED PROJECT DRAWINGS. THIS CONCEPT SYSTEM DRAWING DOES NOT IMPLY COMPLIANCE WITH LOCAL BUILDING CODES. ACTUAL INSTALLATION MAY VARY DEPENDING ON INSTALLATION LOCATION AND PARAMETERS AND IT MUST BE DONE IN ACCORDANCE TO ALL LOCAL BUILDING CODES. VERIFY WITH LOCAL BUILDINGS OFFICIALS BEFORE COMMENCEMENT OF SYSTEM INSTALLATION. CHANGES OR MODIFICATIONS TO PIPING OR DESIGN IS NOT TO BE PERFORMED WITHOUT EXPRESSED WRITTEN PERMISSION BY NAVIEN, INC.

THE NFB700-C BOILER CAN INTERNALLY CONTROL UP TO (4) ZONE CIRCULATORS/ZONE VALVES AND (1) BOILER PUMP PER BOILER WITHOUT A ZONE CONTROL PANEL. ALTERNATIVELY, IT CAN CONTROL (3) ZONE CIRCULATORS, (1) BOILER PUMP, AND (1) DOMESTIC HOT WATER PRIORITY LOOP. ANY ADDITIONAL ZONES SHALL REQUIRE A SEPARATE ZONE CONTROL PANEL. REFER TO THE NAVIEN INSTALLATION & OPERATION MANUAL FOR FURTHER DETAILS.



Navien
 20 GOODYEAR
 IRVINE, CA 92618
 800-519-8794
 www.navienc.com

NFB700-C SERIES BOILER
 (1) NFB700-C CONDENSING BOILER WITH
 MULTIPLE ZONE VALVES
 INCLUDES MODELS NFB700-500C, 600C, 800C, 1000C
 DRAWN BY: S. STOKE
 NFB700-C-1-3ZV
 APRIL 27, 2026

SYMBOL LEGEND			
BACKFLOW PREVENTER	CHECK VALVE	FULL-PORT VALVE	EXPANSION TANK
CONTROL WIRING	UNION	CIRCULATOR	THERMOSTAT
CONDENSATE TRAP	AIR ELIMINATION	BOILER RELIEF VALVE	BALL DRAIN VALVE
COPPER BASEBOARD FIN TUBE	AUTOMATIC AIR VENT	ZONE VALVE	PRESSURE REDUCING VALVE